

4

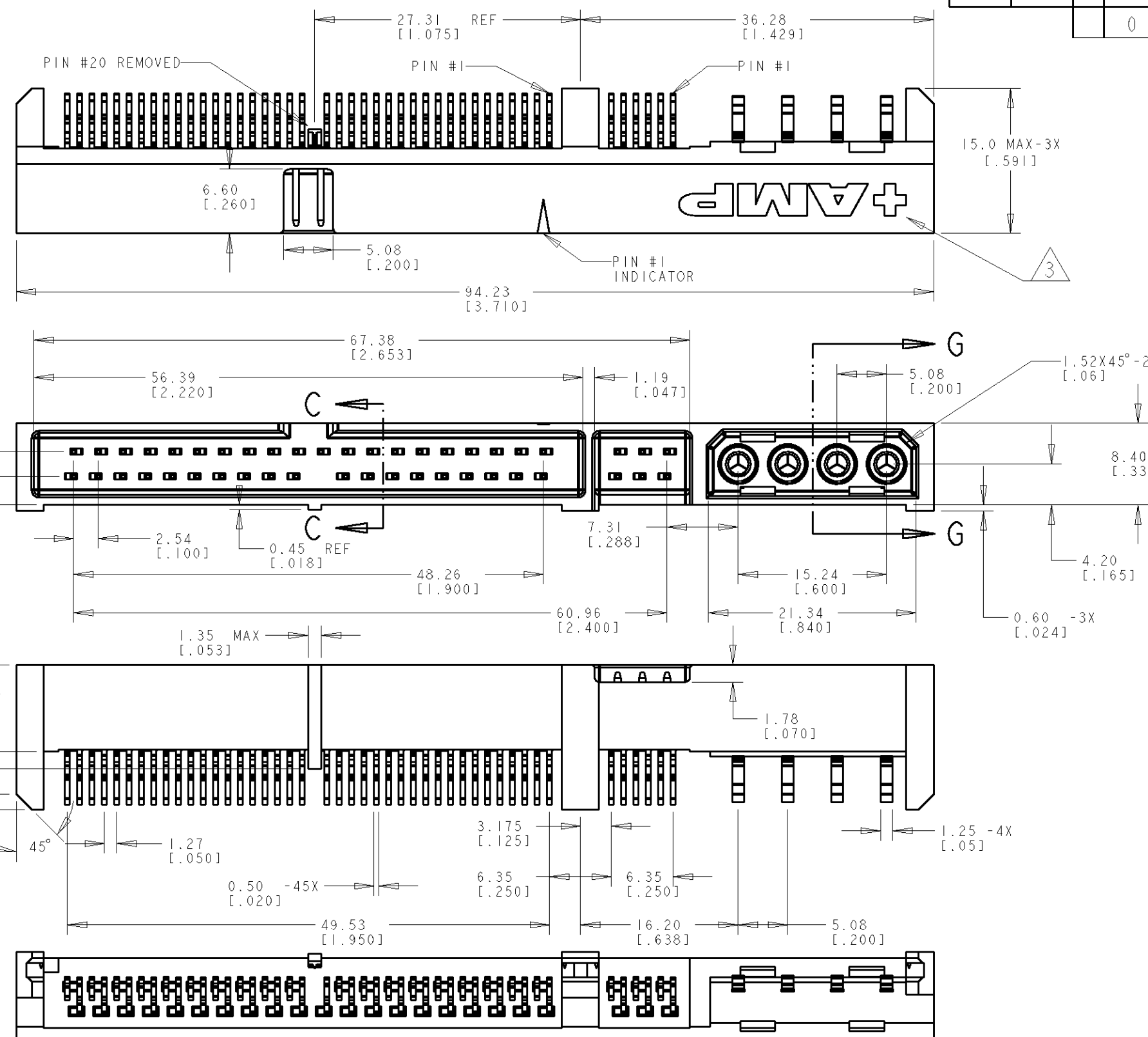
3

2

1

THIS DRAWING IS UNPUBLISHED. RELEASED FOR PUBLICATION .19
 BY AMP INCORPORATED. ALL RIGHTS RESERVED.

LOC	DIST	REVISIONS					
DY	-	P	LTR	DESCRIPTION	DATE	DWN	APVD
		0		NPR FP00-0083-04	22APR04	LWY	TAP



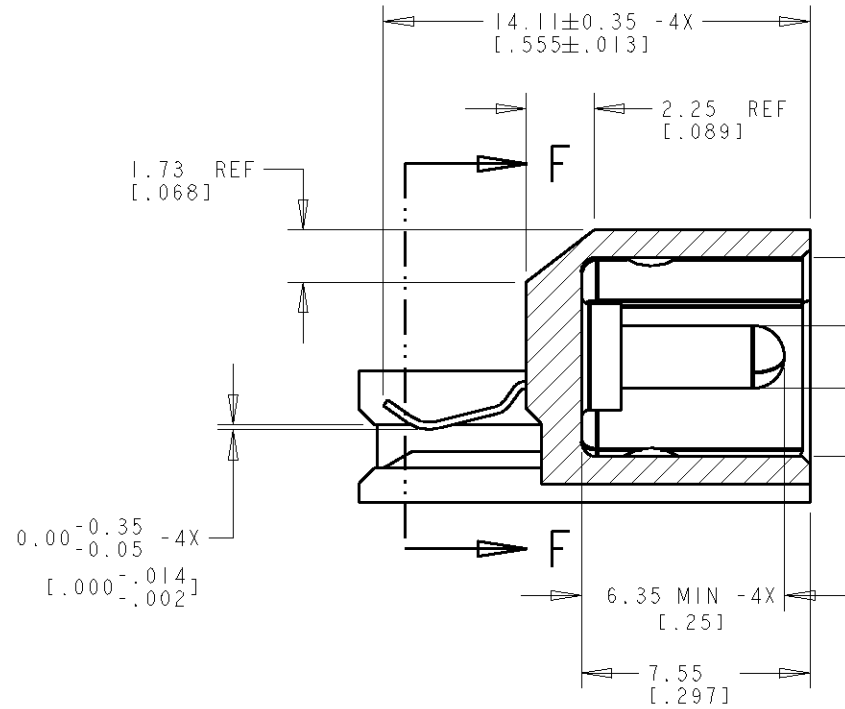
- NOTES:
- 1 MATERIAL:
HOUSING: GLASS FILLED HIGH TEMPERATURE THERMOPLASTIC
UL-94V-0, BLACK COLOR
SIGNAL CONTACT: COPPER ALLOY
POWER CONTACT: COPPER ALLOY
 - 2 FINISH:
SIGNAL CONTACT: 0.05um(2u") MIN THK GOLD FLASH OVER
1.27(50u") MIN THK NICKEL UNDERPLATE
SOLDER AREA: 1.27um(50u") MIN THK TIN OVER
1.27um(50u") MIN THK NICKEL UNDERPLATE
POWER CONTACT: 2.54um(100u") MIN THK TIN OVER
1.27um(50u") MIN THK NICKEL UNDERPLATE
 - 3 MOLD-IN TEXT
4. SIGNAL PIN RETENTION FORCE: 1.2kg MIN PER PIN
 5. REFERENCE P/N: 4-1447053-5, REV 0

P/N: -1 AS SHOWN

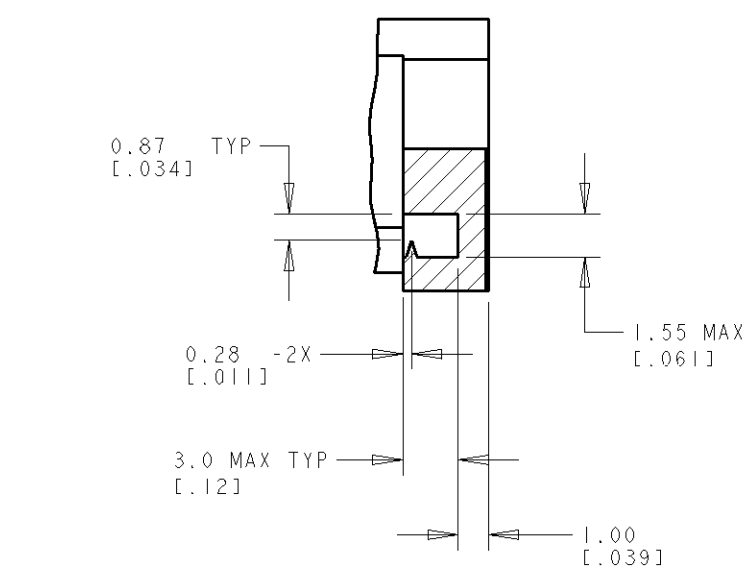
THIS DRAWING IS A CONTROLLED DOCUMENT FOR AMP INCORPORATED. IT IS SUBJECT TO CHANGE AND THE CONTROLLING ENGINEERING ORGANIZATION SHOULD BE CONTACTED FOR THE LATEST REVISION.		DWN WYLEE 22APR2004	Tyco Electronics Singapore Pte. Ltd.
DIMENSIONS: mm [INCHES]		CHK AP TAY	
TOLERANCES UNLESS OTHERWISE SPECIFIED:		APVD SF JFONG	NAME 3 IN 1, SINGLE SIDED STRADDLE MOUNT COMBO HEADER (4+6+39)
0 PLC ± 1 PLC ±0.13 [.005] 2 PLC ±0.13 [.005] 3 PLC ±0.13 [.005] 4 PLC ± ANGLES ±1°		PRODUCT SPEC -	SIZE A3
MATERIAL		APPLICATION SPEC -	CAGE CODE 00779
FINISH		WEIGHT -	DRAWING NO C-1735048
		CUSTOMER DRAWING	SCALE 2:1
			SHEET 1 OF 2
			REV 0

THIS DRAWING IS UNPUBLISHED. RELEASED FOR PUBLICATION .19
 © COPYRIGHT 19 BY AMP INCORPORATED. ALL RIGHTS RESERVED.

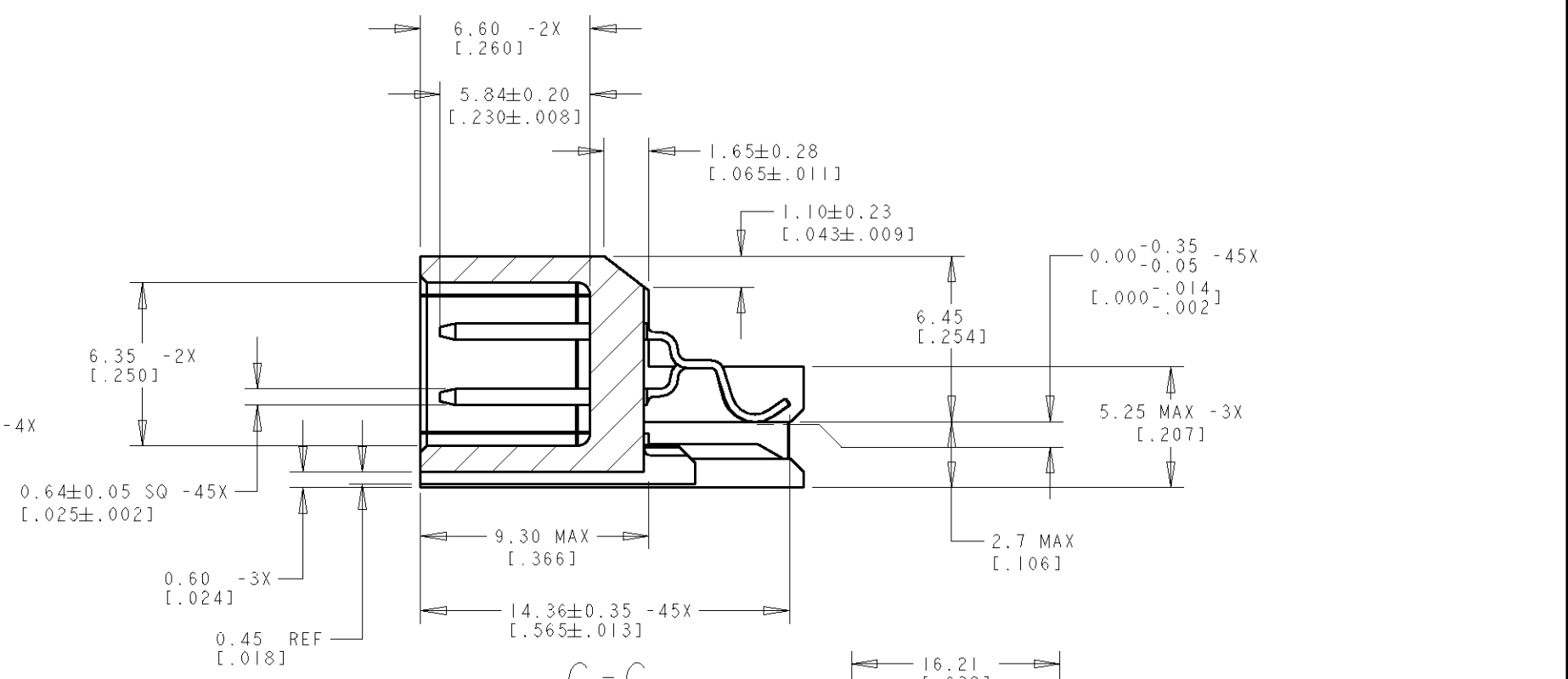
LOC	DIST	REVISIONS			
P	LTR	DESCRIPTION	DATE	DWN	APVD
DY	-	SEE SHEET 1			



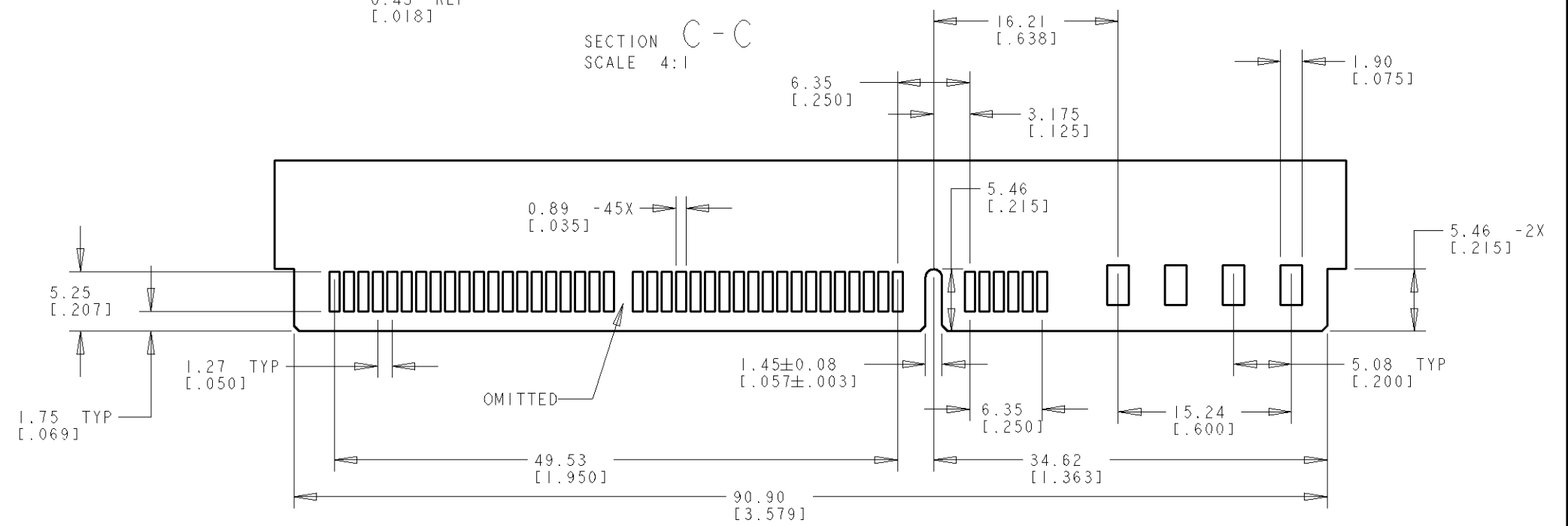
SECTION G-G
SCALE 4:1



SECTION F-F
SCALE 4:1



SECTION C-C
SCALE 4:1



RECOMMENDED PCB LAYOUT
THICKNESS: 1.00±0.10 [.040±.004]
SCALE 2:1

THIS DRAWING IS A CONTROLLED DOCUMENT FOR AMP INCORPORATED. IT IS SUBJECT TO CHANGE AND THE CONTROLLING ENGINEERING ORGANIZATION SHOULD BE CONTACTED FOR THE LATEST REVISION.		DWN WYLEE 22APR2004	tyco Electronics Tyco Electronics Singapore Pte. Ltd.	
DIMENSIONS: mm [INCHES]		CHK AP TAY	NAME 3 IN 1, SINGLE SIDED STRADDLE MOUNT COMBO HEADER (4+6+39)	
TOLERANCES UNLESS OTHERWISE SPECIFIED: 0 PLC ±.13 [.005] 1 PLC ±.13 [.005] 2 PLC ±.13 [.005] 3 PLC ±.13 [.005] 4 PLC ±.13 [.005] ANGLES ±1°		APVD SEIFONG	DRAWING NO C-1735048	
MATERIAL		PRODUCT SPEC -	SIZE A3	CAGE CODE 00779
FINISH		APPLICATION SPEC -	SCALE 2:1	SHEET 2 OF 2
		WEIGHT -	REV 0	
		CUSTOMER DRAWING		